

U.S. Distributor: www.prodigy-pro.com
 Prodigy Professional sales@prodigy-pro.com
 PO Box 10 TEL: 301-272-3296
 Bowie, MD 20719-0010 FAX: 301-262-4424

SOWTER EST. 1941
 TRANSFORMERS

Technical Support: support@sowter.co.uk
 Brian Sowter TEL: +44 (0) 1962620135
 Eur Ing FIEE MAES FAX: +44 (0) 8704581700

Sowter Type 8940

5K0:600 Ω

Cathode Follower to 600 Ω

Line Output Transformer

APPLICATIONS:

Sowter substitute for Teletronix LA-2a Output Transformer.

For use in a high performance valve compressor/amplifier etc. Designed for use with a cathode follower or other low impedance source driving a nominal 600 ohm line. A good quality capacitor must be used to isolate the transformer from the dc voltage of the driving stage.

FEATURES:

Combination core using High grade Grain Oriented Silicon Iron (M6) and Mumetal (76% Nickel). This provides a high level capability, exceptional bandwidth and transient response which is maintained over the full dynamic range. Internal electrostatic shields to maximise output balance and noise immunity. The low insertion loss and step down ratio ensures a very low output impedance ideal for driving a long 600 ohm line or complex load with minimal loss of performance.

RATIO:

3:1

MAXIMUM LEVEL (0.5% THD @ 50Hz, 40 Ω source):

+28 dBu

DC RESISTANCE (Secondary):

15 Ω

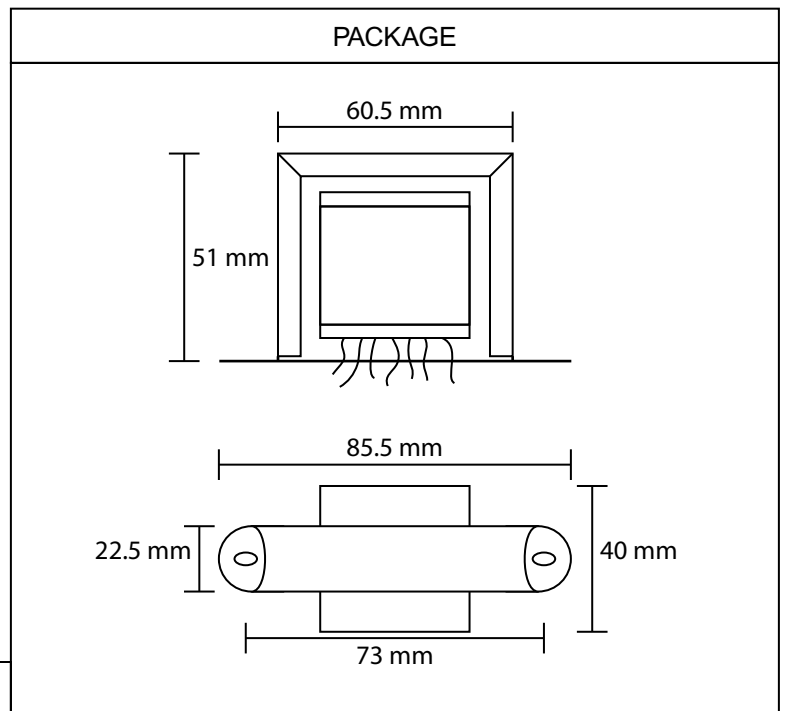
EFFECTIVE OUTPUT IMPEDANCE (450 ohm source):

65 Ω

FREQUENCY RESPONSE (450 Ω source, 600 Ω load):

+/- 0.5 dB

10Hz to 120 kHz



PACKAGE	SOWTER #	PRODIGY-PRO #
Colored Leads	8940-A	Sowter-8940-A
PCB Mount	8940-B	Sowter-8940-B (not yet available)

